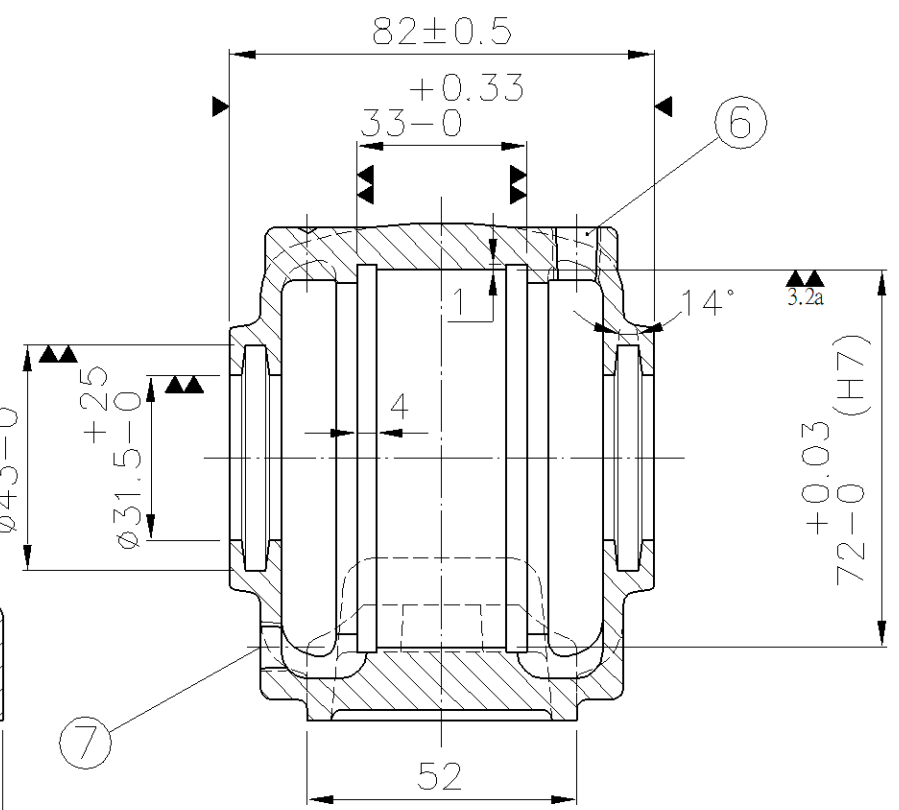
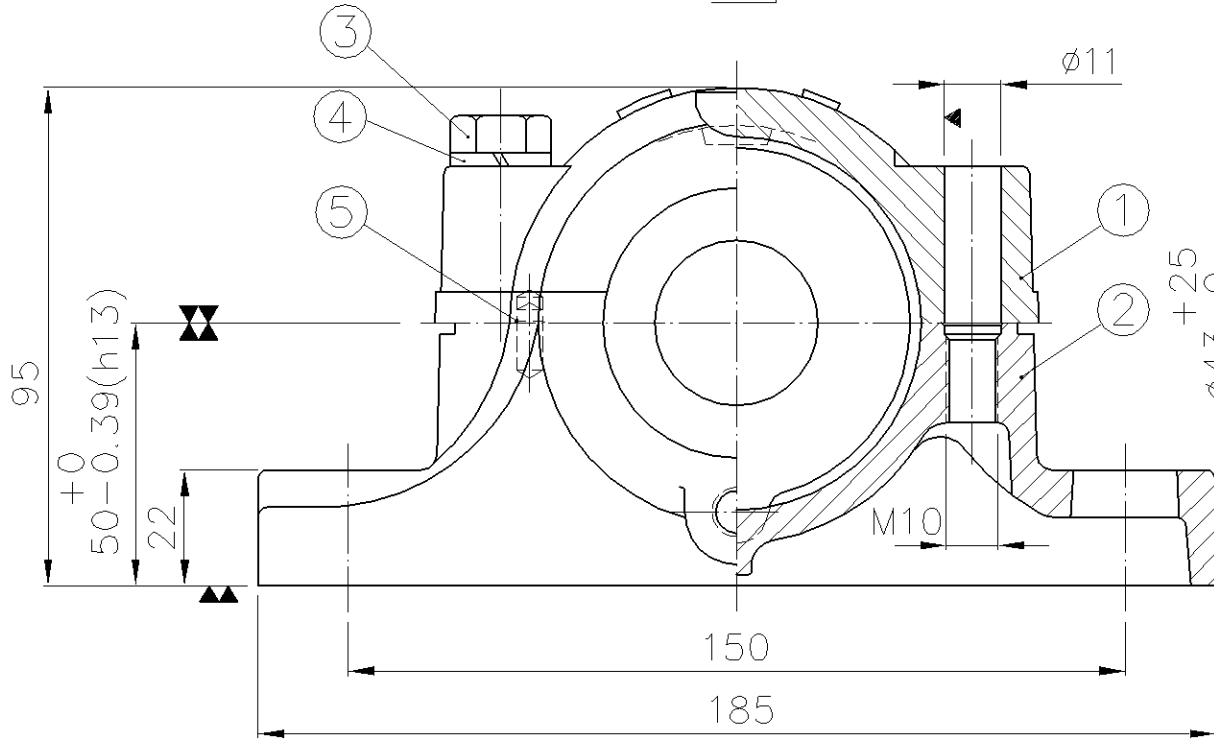


| ITEM | DESCRIPTION | DETAIL | MATERIAL | Q'TY |
|------|---------------|---------------|-----------|------|
| 1 | CAP CASTING | SN507 | FC200 | 1 |
| 2 | BASE CASTING | SN507 | FC200 | 1 |
| 3 | HEX.HEAD BOLT | M10×1.5P×50LG | AISI-1010 | 2 |
| 4 | LOCK WASHER | M10 | AISI-1045 | 2 |
| 5 | DOWEL PIN | φ4×12LG | AISI-1045 | 2 |
| 6 | GREASE NIPPLE | PT 1/8 | AISI-1010 | 1 |
| 7 | METAL PLUG | PT 1/8 | AISI-1010 | 1 |



FAIR FRIEND ENT. GROUP.

| NAME | | DATE | FSQ FAIRSKQ (TAIWAN) CO., LTD. | | |
|---------|-------|------------|--|------------|---------|
| DRAWN | C.M.T | 2010/01/21 | | | |
| CHECKED | K.Y.S | 2010/01/21 | DRAWING NAME | DRAWING NO | EDITION |
| SCALE | | Issue | SN507 | PB11507D | 00 |
| | | | | | |

敬告 RESTRICTED
 此圖乃友迦工業(股)公司財產,未經本公司正式授權,不得私自影印或將內容透漏與第三者。
 THIS DRAWING IS PROPERTY OF FAIRSKQ (TAIWAN) CO., LTD. AND IS TRANSMITTED TO YOU AS A CONFIDENTIAL DISCLOSURE. IT SHALL NOT BE COPIED OR IT'S CONTENTS REVEALED TO OUTSIDE PARTIES WITHOUT WRITTEN CONSENT OF FAIRSKQ (TAIWAN) CO., LTD.

| REV. | MARK | CAREER | NAME | DATE |
|------|------|--------|------|------|
| | | | | |