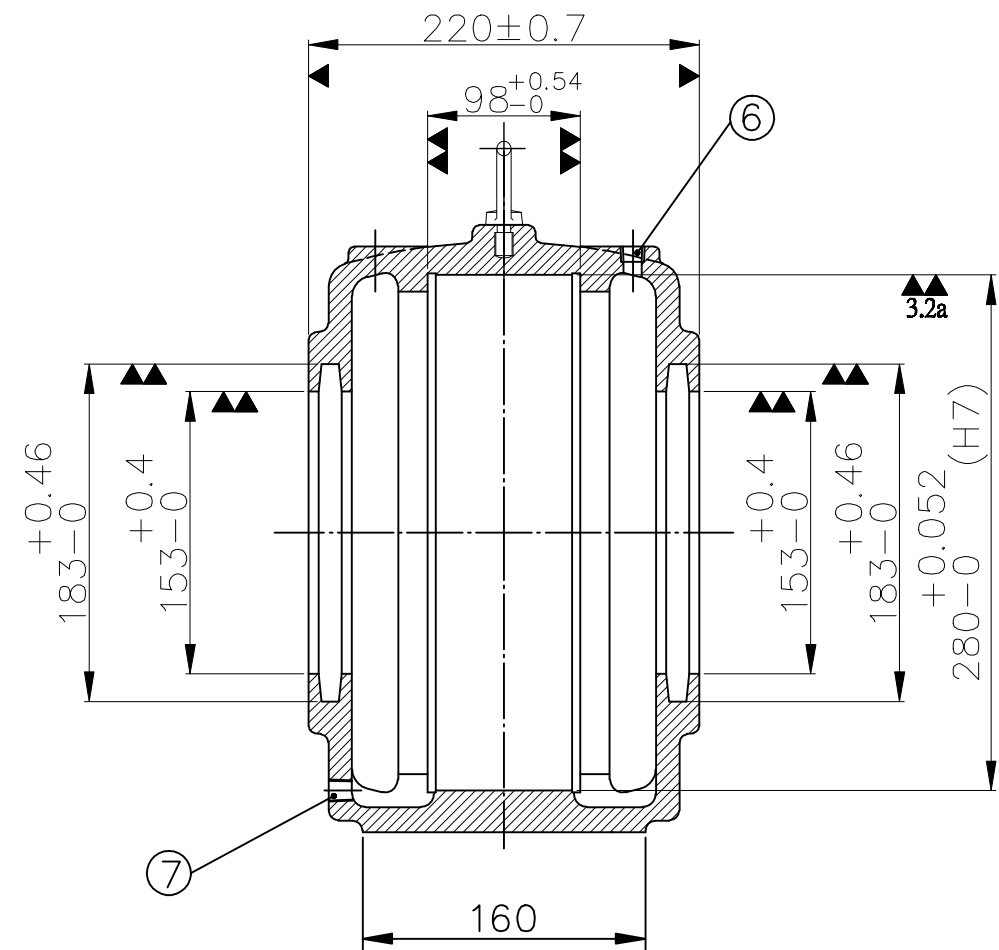
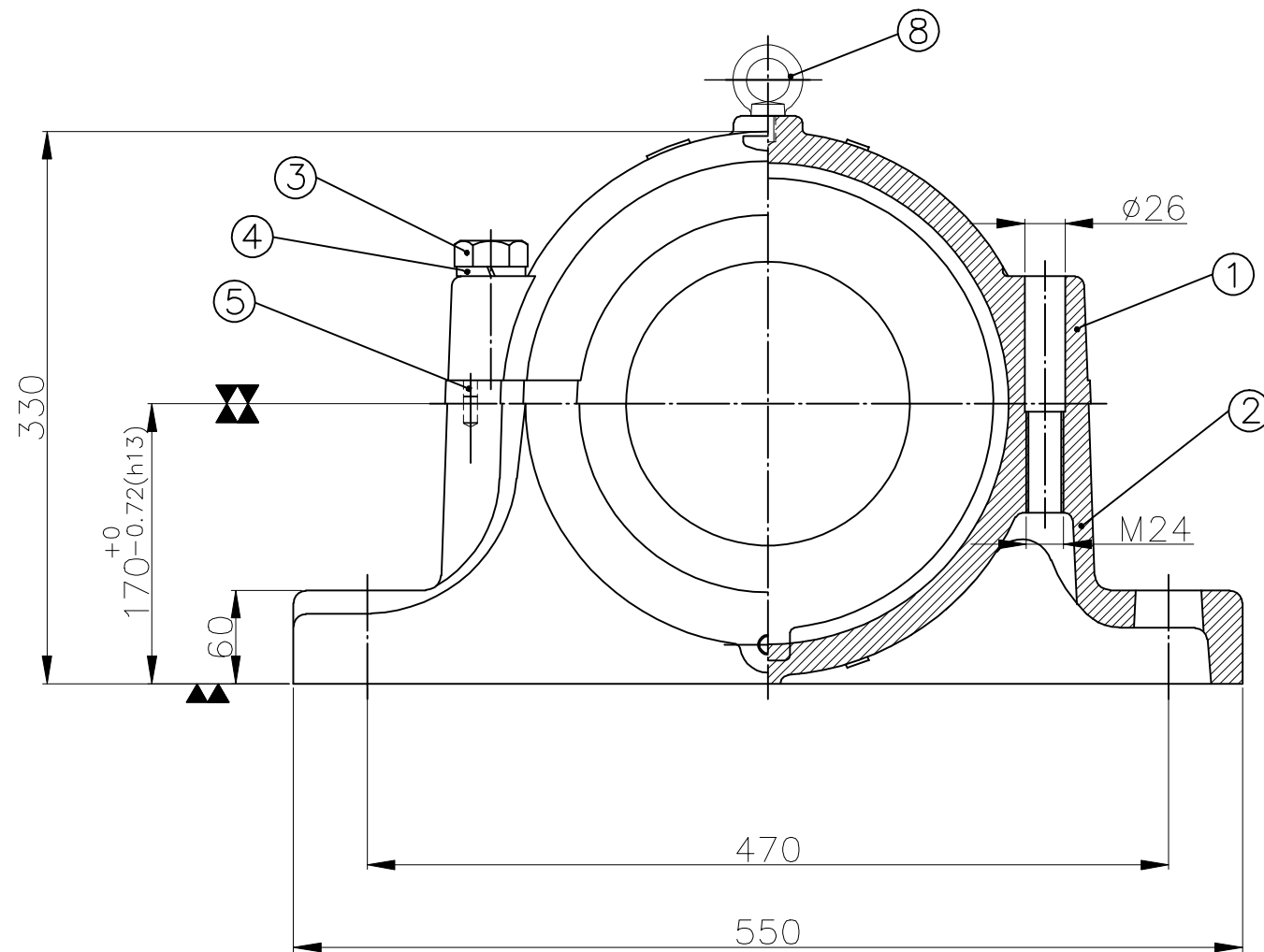


12.5a 6.3a (3.2a)

ITEM	DESCRIPTION	DETAIL	MATERIAL	Q'TY	REMARK
1	CAP CASTING	SN 3134	GRADE200	1	
2	BASE CASTING	SN 3134	GRADE200	1	
3	HEX.HEAD BOLT	M24x130LG	AISI-1010	2	
4	LOCK WASHER	M24	AISI-1045	2	
5	DOWEL PIN	φ8x16LG	AISI-1045	2	
6	GREASE MIPPLE	PT 1/4	AISI-1010	1	
7	METAL PLUG	PT 1/4	AISI-1010	1	
8	EYE-BOLT	W 3/8"	AISI-1010	1	



FAIR FRIEND ENT. GROUP.

NAME		DATE	<b>FSQ</b> FAIRSKQ (TAIWAN) CO., LTD.		
DRAWN	H.S.Y	2010/12/23			
CHECKED	K.Y.S	2010/12/23	SN3134	PB11134D	00
SCALE		Issue			
CAD (NO MANUAL CHANGES)					

敬告  
 此圖乃友迦工業(股)公司財產,未經本公司正式授權,不得私自影印或將內容透漏與第三者。  
 RESTRICTED  
 THIS DRAWING IS PROPERTY OF FAIRSKQ (TAIWAN) CO., LTD. AND IS TRANSMITTED TO YOU AS A CONFIDENTIAL DISCLOSURE. IT SHALL NOT BE COPIED OR IT'S CONTENTS REVEALED TO OUTSIDE PARTIES WITHOUT WRITTEN CONSENT OF FAIRSKQ (TAIWAN) CO., LTD.

REV.	MARK	CAREER	NAME	DATE