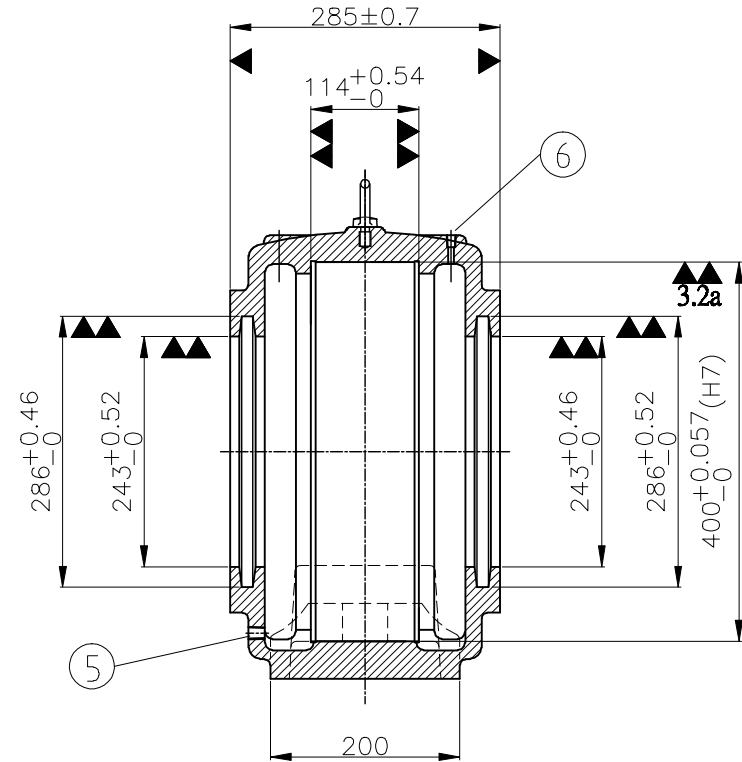
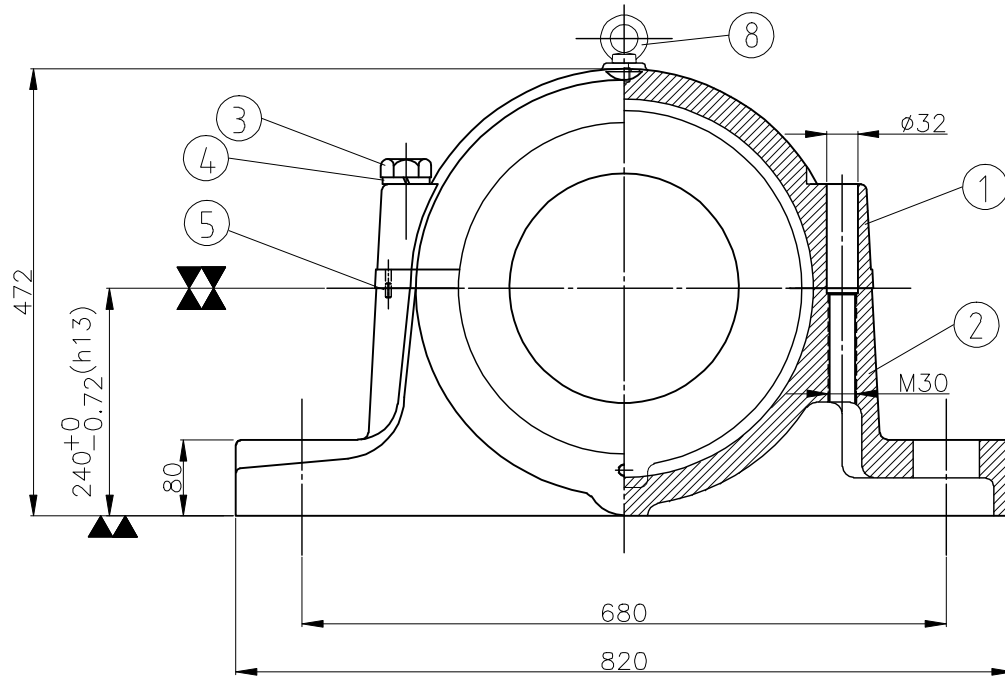


12.5a 6.3a (3.2a)

ITEM	DESCRIPTION	DETAIL	MATERIAL	Q'TY	REMARK
1	CAP CASTING	SN 3052	GRADE200	1	
2	BASE CASTING	SN 3052	GRADE200	1	
3	HEX.HEAD BOLT	M30x180LG	AISI-1010	2	
4	LOCK WASHER	M30	AISI-1045	2	
5	DOWEL PIN	Ø8x16LG	AISI-1045	2	
6	GREASE MIPPLE	PT 1/4	AISI-1010	1	
7	METAL PLUG	PT 1/4	AISI-1010	1	
8	EYE-BOLT	W 1/2"	AISI-1010	1	



FAIR FRIEND ENT. GROUP.

NAME	DATE	FAIRSKQ (TAIWAN) CO., LTD.		
DRAWN H.S.Y	2010/12/22	DRAWING NAME SN3052 DRAWING NO PB11052D EDITION 00		
CHECKED K.Y.S	2010/12/22			
SCALE	Issue			
CAD NO MANUAL CHANGES				

REV.MARK	CAREER	NAME	DATE

警告 RESTRICTED
 此圖乃友迪工業(股)公司財產,未經本公司正式授權,不得私自影印或將內容透漏與第三者。
 THIS DRAWING IS PROPERTY OF FAIRSKQ (TAIWAN) CO., LTD. AND IS TRANSMITTED TO YOU AS A CONFIDENTIAL DISCLOSURE. IT SHALL NOT BE COPIED OR IT'S CONTENTS REVEALED TO OUTSIDE PARTIES WITHOUT WRITTEN CONSENT OF FAIRSKQ (TAIWAN) CO., LTD.