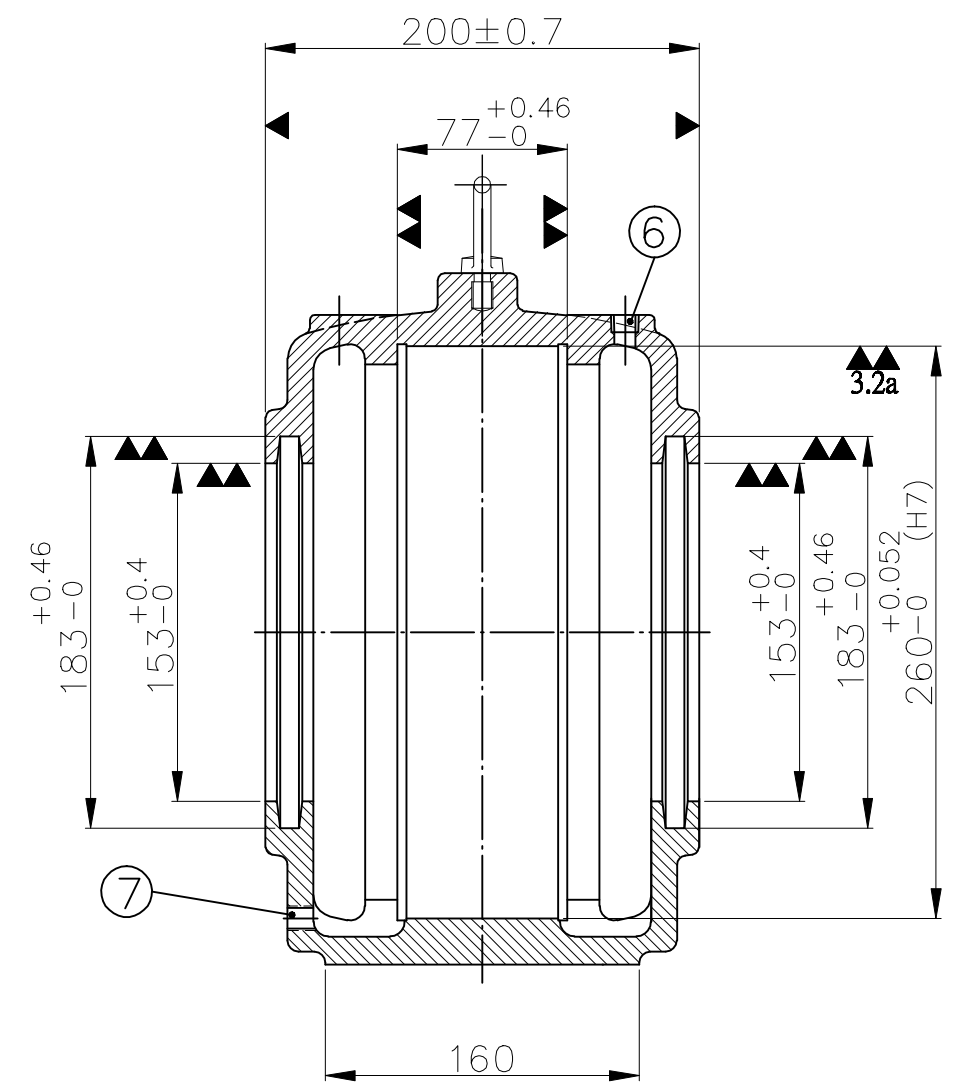


12.5a 6.3a (3.2a)

ITEM	DESCRIPTION	DETAIL	MATERIAL	Q'TY	REMARK
1	CAP CASTING	SN 3034	GRADE200	1	
2	BASE CASTING	SN 3034	GRADE200	1	
3	HEX.HEAD BOLT	M24x130LG	AISI-1010	2	
4	LOCK WASHER	M24	AISI-1045	2	
5	DOWEL PIN	φ8x16LG	AISI-1045	2	
6	GREASE MIPPLE	PT 1/4	AISI-1010	1	
7	METAL PLUG	PT 1/4	AISI-1010	1	
8	EYE-BOLT	W 3/8"	AISI-1010	1	



REV.	MARK	CAREER	NAME	DATE

敬告
 此圖乃友迦工業(股)公司財產,未經本公司正式授權,不得私自影印或將內容透漏與第三者。
 RESTRICTED
 THIS DRAWING IS PROPERTY OF FAIRSKQ (TAIWAN) CO., LTD. AND IS TRANSMITTED TO YOU AS A CONFIDENTIAL DISCLOSURE. IT SHALL NOT BE COPIED OR IT'S CONTENTS REVEALED TO OUTSIDE PARTIES WITHOUT WRITTEN CONSENT OF FAIRSKQ (TAIWAN) CO., LTD.

FAIR FRIEND ENT. GROUP.

NAME	DATE	FAIRSKQ (TAIWAN) CO., LTD.		
DRAWN H.S.Y	2010/12/22	DRAWING NAME	DRAWING NO	EDITION
CHECKED K.Y.S	2010/12/22	SN3034	PB11034D	00
SCALE	Issue			
CAD (NO MANUAL CHANGES)	⊙			