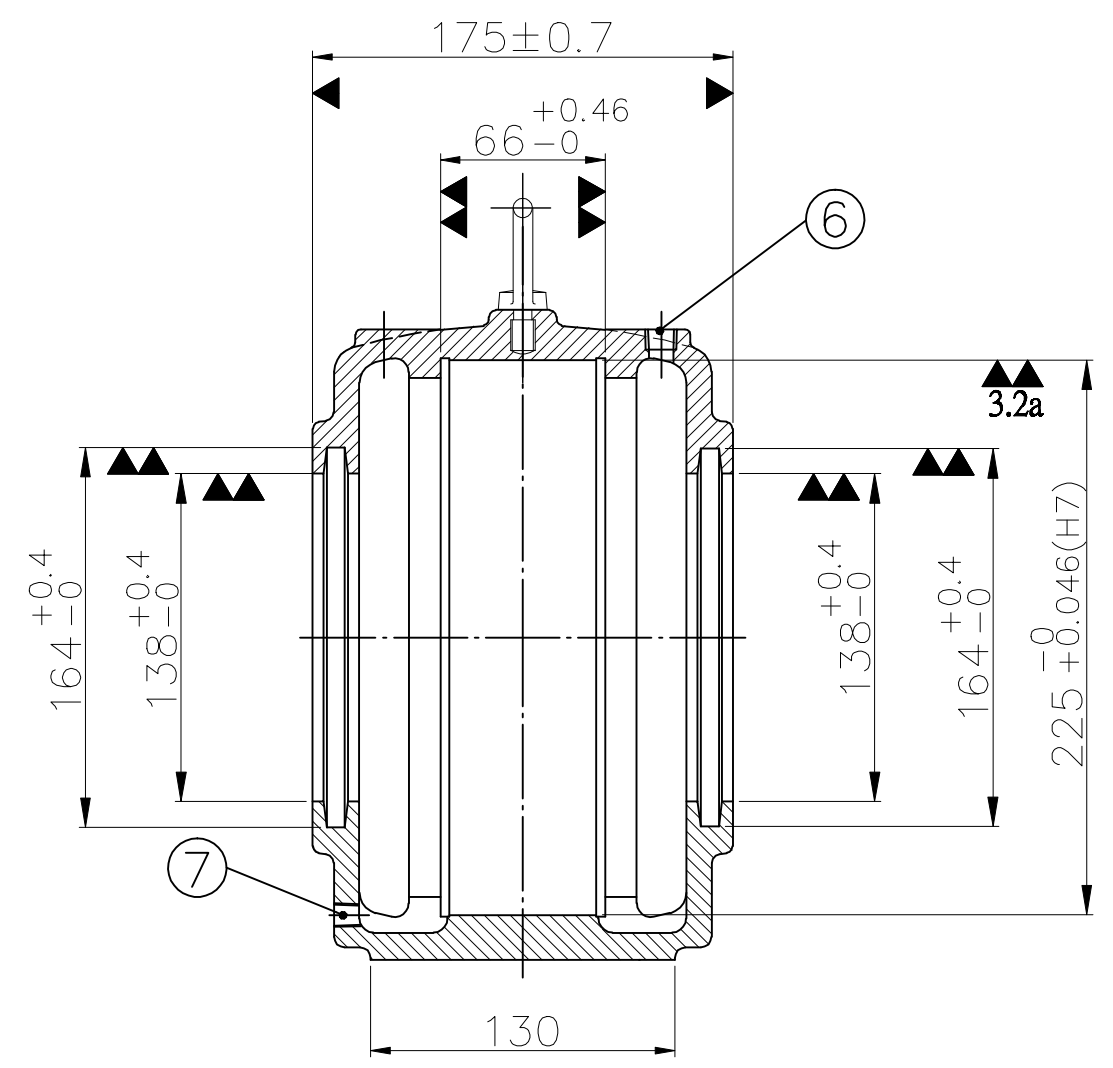
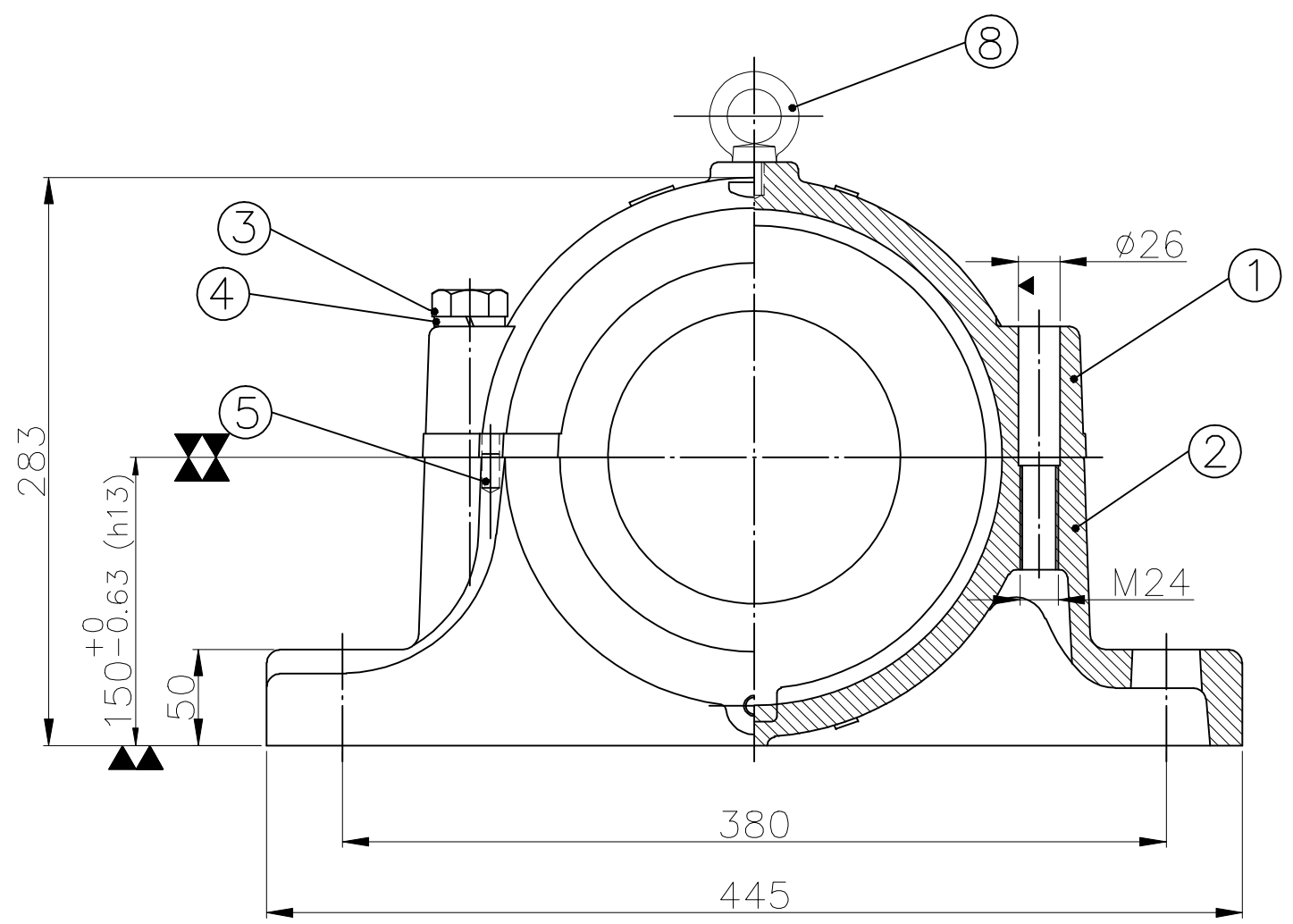


12.5a 6.3a (3.2a)

ITEM	DESCRIPTION	DETAIL	MATERIAL	Q'TY	REMARK
1	CAP CASTING	SN 3030	GRADE200	1	
2	BASE CASTING	SN 3030	GRADE200	1	
3	HEX.HEAD BOLT	M24x120LG	AISI-1010	2	
4	LOCK WASHER	M24	AISI-1045	2	
5	DOWEL PIN	φ8x16LG	AISI-1045	2	
6	GREASE MIPPLE	PT 1/4	AISI-1010	1	
7	METAL PLUG	PT 1/4	AISI-1010	1	
8	EYE-BOLT	W 3/8"	AISI-1010	1	



REV.	MARK	CAREER	NAME	DATE

敬告 RESTRICTED
 此圖乃友迦工業(股)公司財產,未經本公司正式授權,不得私自影印或將內容透漏與第三者。
 THIS DRAWING IS PROPERTY OF FAIRSKQ (TAIWAN) CO., LTD. AND IS TRANSMITTED TO YOU AS A CONFIDENTIAL DISCLOSURE. IT SHALL NOT BE COPIED OR IT'S CONTENTS REVEALED TO OUTSIDE PARTIES WITHOUT WRITTEN CONSENT OF FAIRSKQ (TAIWAN) CO., LTD.

FAIR FRIEND ENT. GROUP.

NAME	DATE	FSQ		
DRAWN H.S.Y	2010/12/22	FAIRSKQ (TAIWAN) CO., LTD.		
CHECKED K.Y.S	2010/12/22	DRAWING NAME	DRAWING NO	EDITION
SCALE	Issue	SN3030	PB11030D	00
CAD (NO MANUAL CHANGES)				