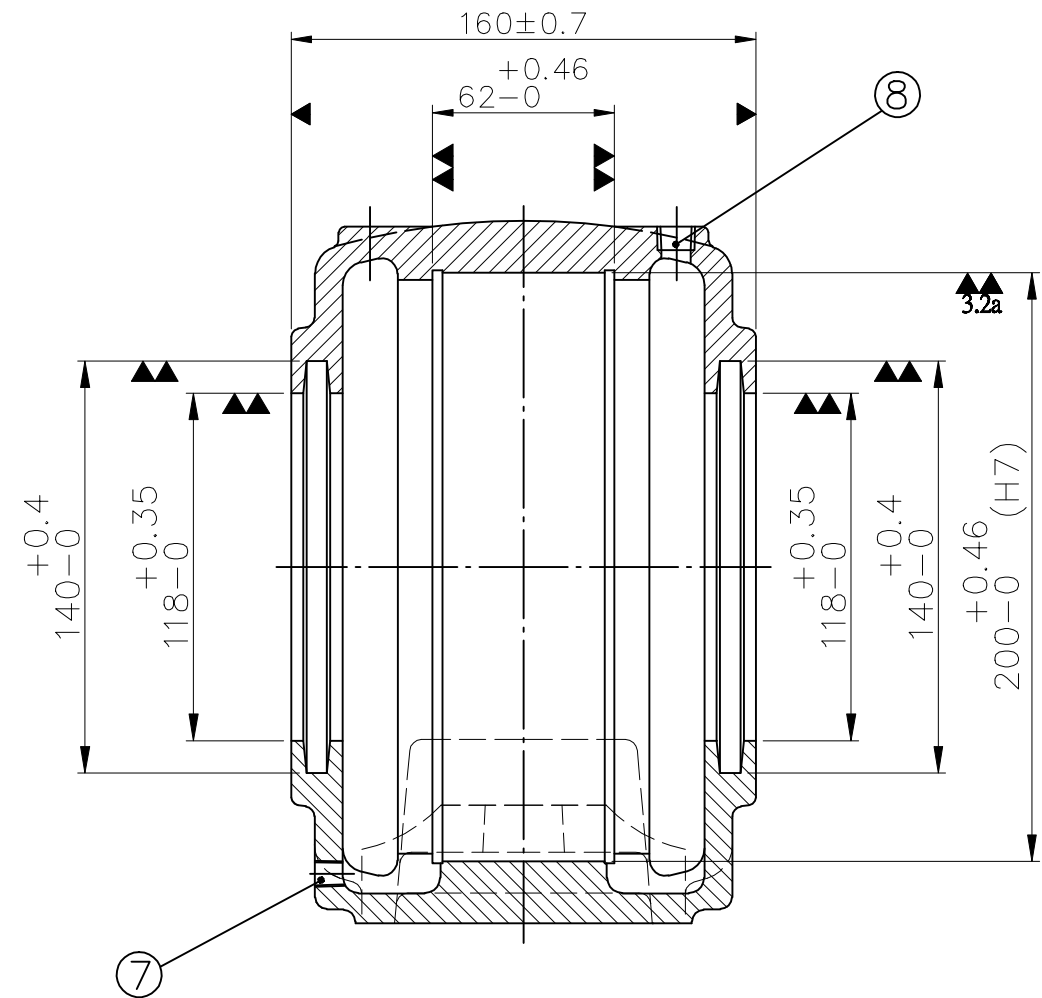
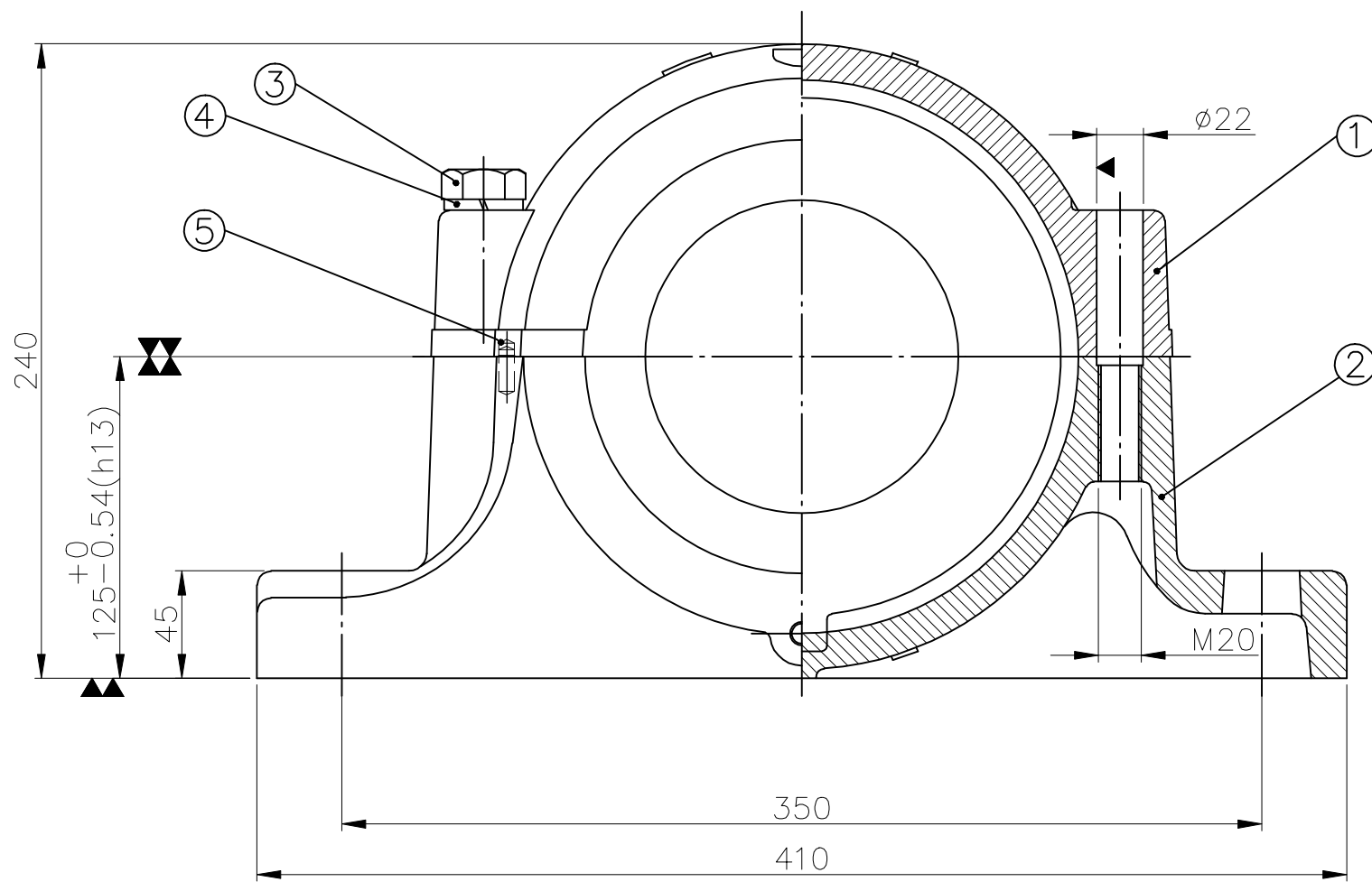


ITEM	DESCRIPTION	DETAIL	MATERIAL	Q'TY	REMARK
1	CAP CASTING	SN 3026	GRADE200	1	
2	BASE CASTING	SN 3026	GRADE200	1	
3	HEX.HEAD BOLT	M20x100LG	AISI-1010	2	
4	LOCK WASHER	M20	AISI-1045	2	
5	DOWEL PIN	φ6x16LG	AISI-1045	2	
6	GREASE MIPPLE	PT 1/4	AISI-1010	1	
7	METAL PLUG	PT 1/4	AISI-1010	1	

12.5a 6.3a (3.2a)



FAIR FRIEND ENT. GROUP.

NAME		DATE	FSQ FAIRSKQ (TAIWAN) CO., LTD.		
DRAWN	H.S.Y	2010/12/22			
CHECKED	K.Y.S	2010/12/22	DRAWING NAME	DRAWING NO	EDITION
SCALE		Issue	SN3026	PB11026D	00
CAD NO MANUAL CHANGES					

敬告
 此圖乃友迦工業(股)公司財產,未經本公司正式授權,不得私自影印或將內容透漏與第三者。
 RESTRICTED
 THIS DRAWING IS PROPERTY OF FAIRSKQ (TAIWAN) CO., LTD. AND IS TRANSMITTED TO YOU AS A CONFIDENTIAL DISCLOSURE. IT SHALL NOT BE COPIED OR IT'S CONTENTS REVEALED TO OUTSIDE PARTIES WITHOUT WRITTEN CONSENT OF FAIRSKQ (TAIWAN) CO., LTD.

REV.	MARK	CAREER	NAME	DATE