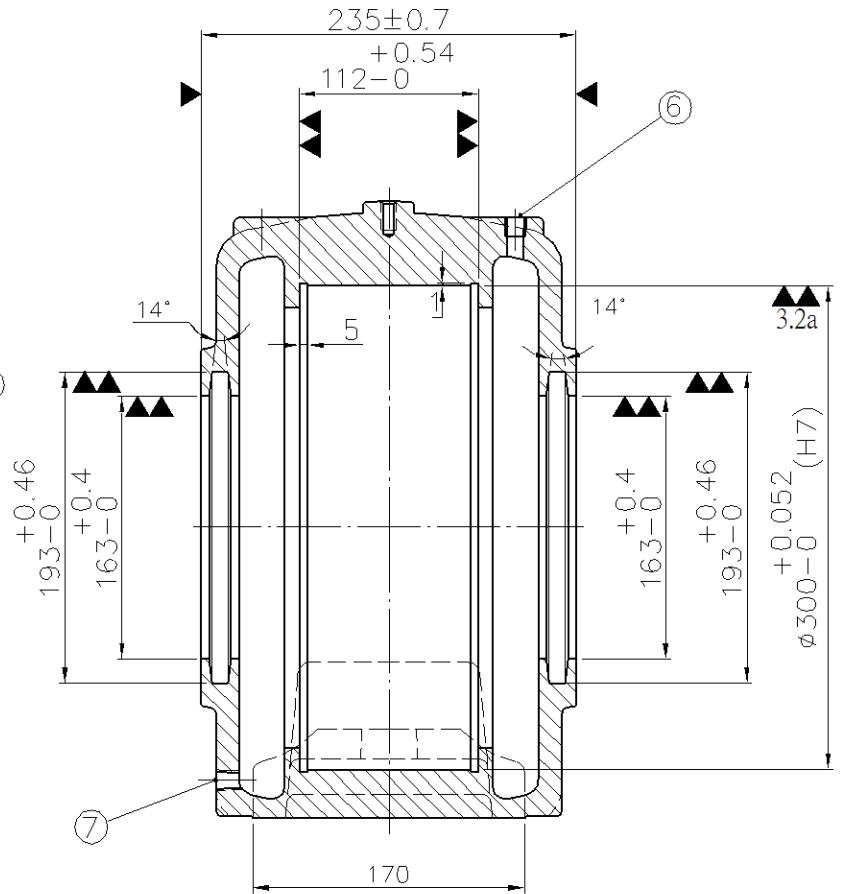
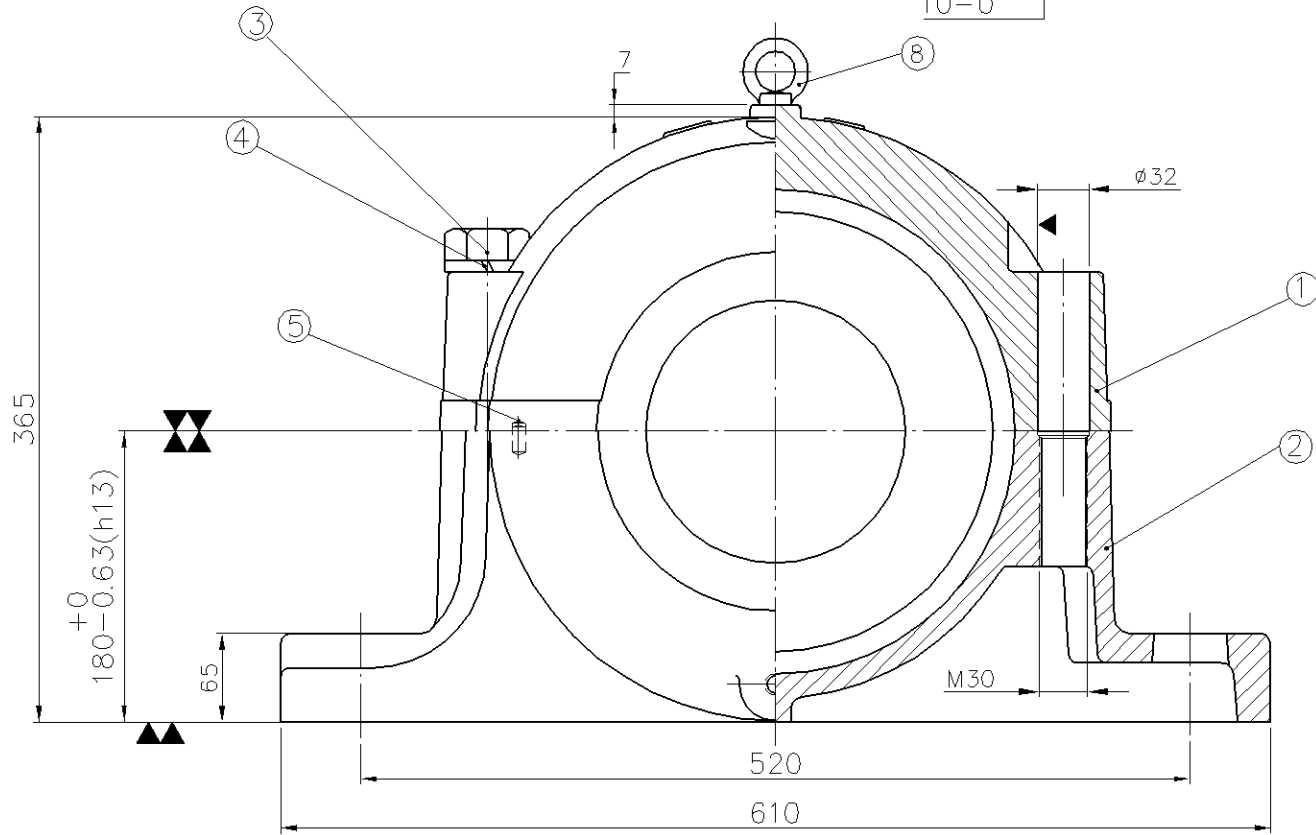


ITEM	DESCRIPTION	DETAIL	MATERIAL	Q'TY
1	CAP CASTING	SN328	GRADE200	1
2	BASE CASTING	SN328	GRADE200	1
3	HEX.HEAD BOLT	M30x3.5Px170LG	AISI-1010	2
4	LOCK WASHER	M30	AISI-1045	2
5	DOWEL PIN	φ8x16LG	AISI-1045	2
6	GREASE NIPPLE	PT 1/4	AISI-1010	1
7	METAL PLUG	PT 1/4	AISI-1010	1
8	EYE BOLT	W3/8"	AISI-1010	1



FAIR FRIEND ENT. GROUP.

	NAME	DATE
DRAWN	H.S.Y	2010/11/23
CHECKED	K.Y.S	2010/11/23
SCALE		Issue

FAIRSKQ (TAIWAN) CO., LTD.		
DRAWING NAME	DRAWING NO	EDITION
SN328	PB11328D	00

敬告 RESTRICTED

此圖乃友迦工業(股)公司財產,未經本公司正式授權,不得私自影印或將內容透漏與第三者。
THIS DRAWING IS PROPERTY OF FAIRSKQ (TAIWAN) CO., LTD. AND IS TRANSMITTED TO YOU AS A CONFIDENTIAL DISCLOSURE. IT SHALL NOT BE COPIED OR IT'S CONTENTS REVEALED TO OUTSIDE PARTIES WITHOUT WRITTEN CONSENT OF FAIRSKQ (TAIWAN) CO., LTD.

REV.	MARK	CAREER	NAME	DATE