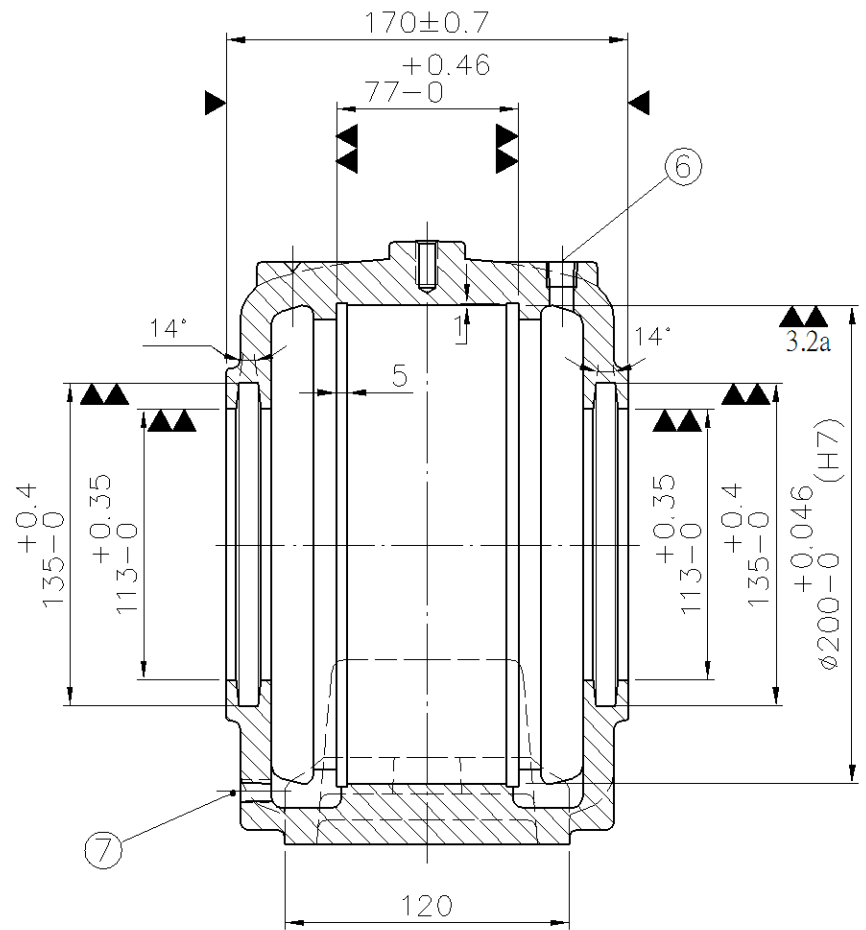


ITEM	DESCRIPTION	DETAIL	MATERIAL	Q'TY
1	CAP CASTING	SN319	GRADE200	1
2	BASE CASTING	SN319	GRADE200	1
3	HEX.HEAD BOLT	M20x2.5Px100LG	AISI-1010	2
4	LOCK WASHER	M20	AISI-1045	2
5	DOWEL PIN	∅6x16LG	AISI-1045	2
6	GREASE NIPPLE	PT 1/4	AISI-1010	1
7	METAL PLUG	PT 1/4	AISI-1010	1
7	EYE BOLT	W3/8"	AISI-1010	1



FAIR FRIEND ENT. GROUP.

NAME	DATE	FSQ		
DRAWN H.S.Y	2010/11/23	FAIRSKQ (TAIWAN) CO., LTD.		
CHECKED K.Y.S	2010/11/23	DRAWING NAME	DRAWING NO	EDITION
SCALE	Issue	SN319	PB11319D	00
CAD NO MANUAL CHANGES				

敬告 RESTRICTED

此圖乃友迦工業(股)公司財產。未經本公司正式授權，不得私自影印或將內容透漏與第三者。
THIS DRAWING IS PROPERTY OF FAIRSKQ (TAIWAN) CO., LTD. AND IS TRANSMITTED TO YOU AS A CONFIDENTIAL DISCLOSURE. IT SHALL NOT BE COPIED OR IT'S CONTENTS REVEALED TO OUTSIDE PARTIES WITHOUT WRITTEN CONSENT OF FAIRSKQ (TAIWAN) CO., LTD.

REV.	MARK	CAREER	NAME	DATE