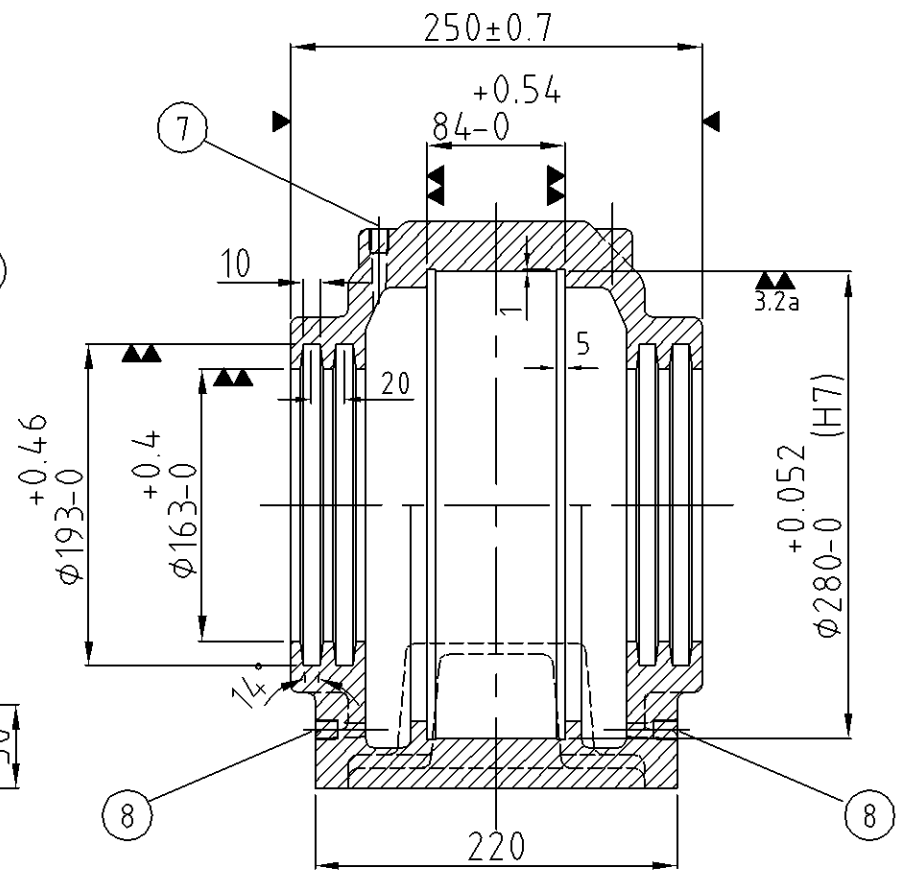
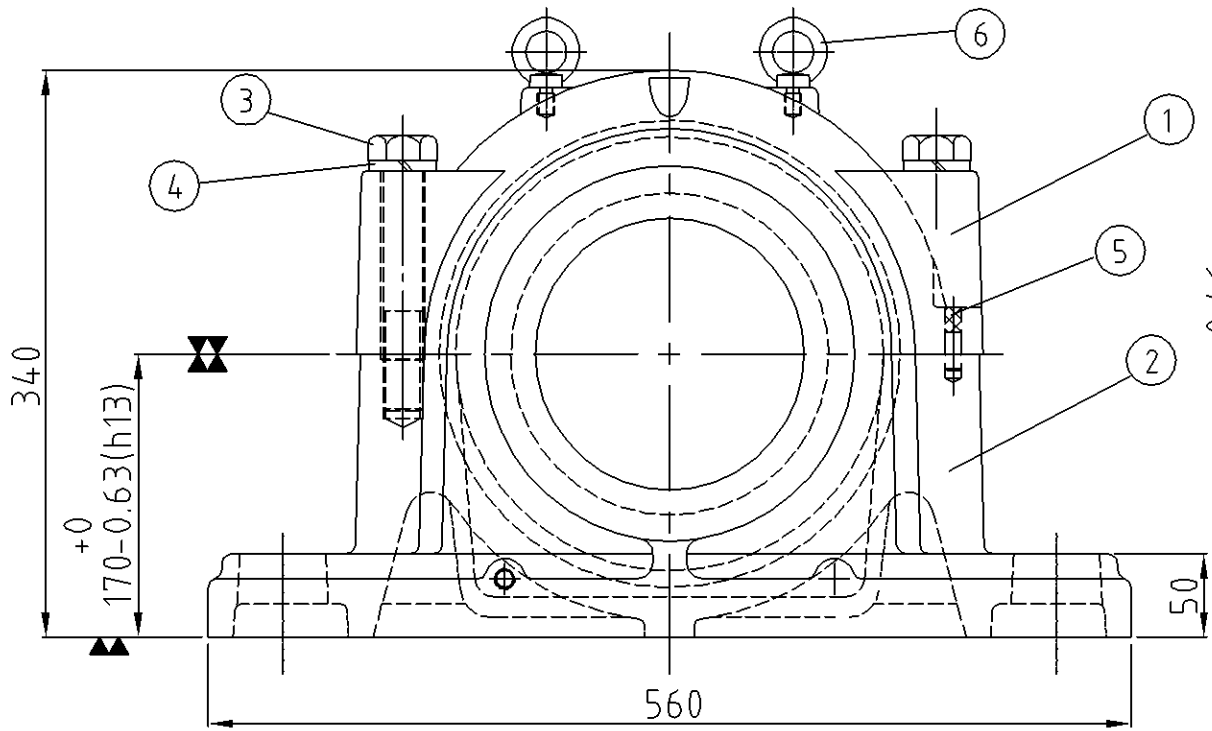


ITEM	DESCRIPTION	DETAIL	MATERIAL	Q'TY
1	CAP CASTING	SD3036	FC 200	1
2	BASE CASTING	SD3036	FC 200	1
3	HEX.HEAD BOLT	M24×3.0P×150LG	AISI-1010	4
4	LOCK WASHER	M24	AISI-1045	4
5	DOWEL PIN	∅1/2"×38LG	AISI-1010	2
6	EYE BOLT	W3/8"	AISI-1010	2
7	GREASE NIPPLE	PT 1/4	AISI-1010	1
8	METAL PLUG	PT 1/4	AISI-1010	2



FAIR FRIEND ENT. GROUP.

NAME	DATE
DRAWN C.M.T	2010/09/21
CHECKED K.Y.S	2010/09/21
SCALE	Issue
CAD NO MANUAL CHANGES	

FSQ		
FAIRSKQ (TAIWAN) CO., LTD.		
DRAWING NAME	DRAWING NO	EDITION
SD3036	PB22036D	00

敬告 RESTRICTED
 此圖乃友迦工業(股)公司財產,未經本公司正式授權,不得私自影印或將內容透漏與第三者。
 THIS DRAWING IS PROPERTY OF FAIRSKQ (TAIWAN) CO., LTD. AND IS TRANSMITTED TO YOU AS A CONFIDENTIAL DISCLOSURE. IT SHALL NOT BE COPIED OR IT'S CONTENTS REVEALED TO OUTSIDE PARTIES WITHOUT WRITTEN CONSENT OF FAIRSKQ (TAIWAN) CO., LTD.

REV.MARK	CAREER	NAME	DATE